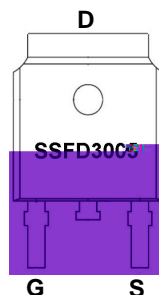


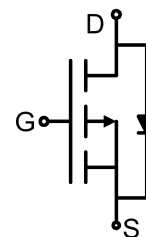
**Main Product Characteristics:**




TO-252



Marking and Pin Assignments



Schematic Diagram

**Features and Benefits:**



**Description:**

**Absolute Max Rating:**

Symbol	Parameter	Max.	Units

**Thermal Resistance**

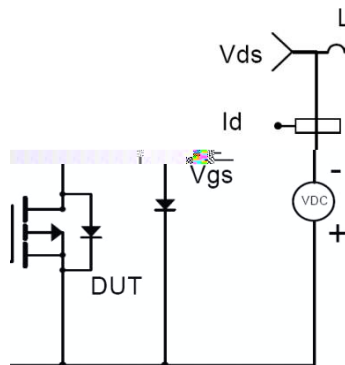
Symbol	Characterizes	Typ.	Max.	Units

**Electrical Characterizes**

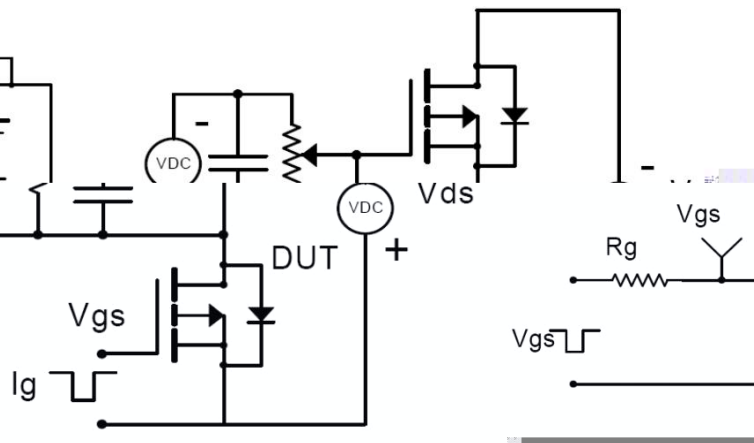
Symbol	Parameter	Min.	Typ.	Max.	Units	Conditions
--------	-----------	------	------	------	-------	------------

## Test Circuits and Waveforms

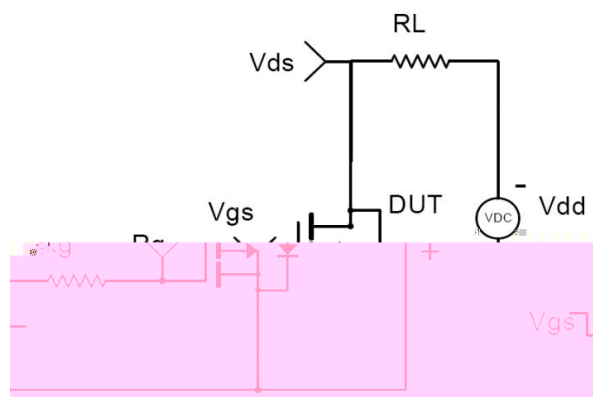
EAS Test Circuit:



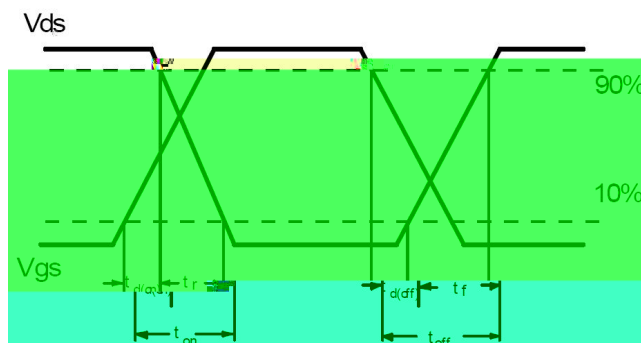
Gate Charge Test Circuit:



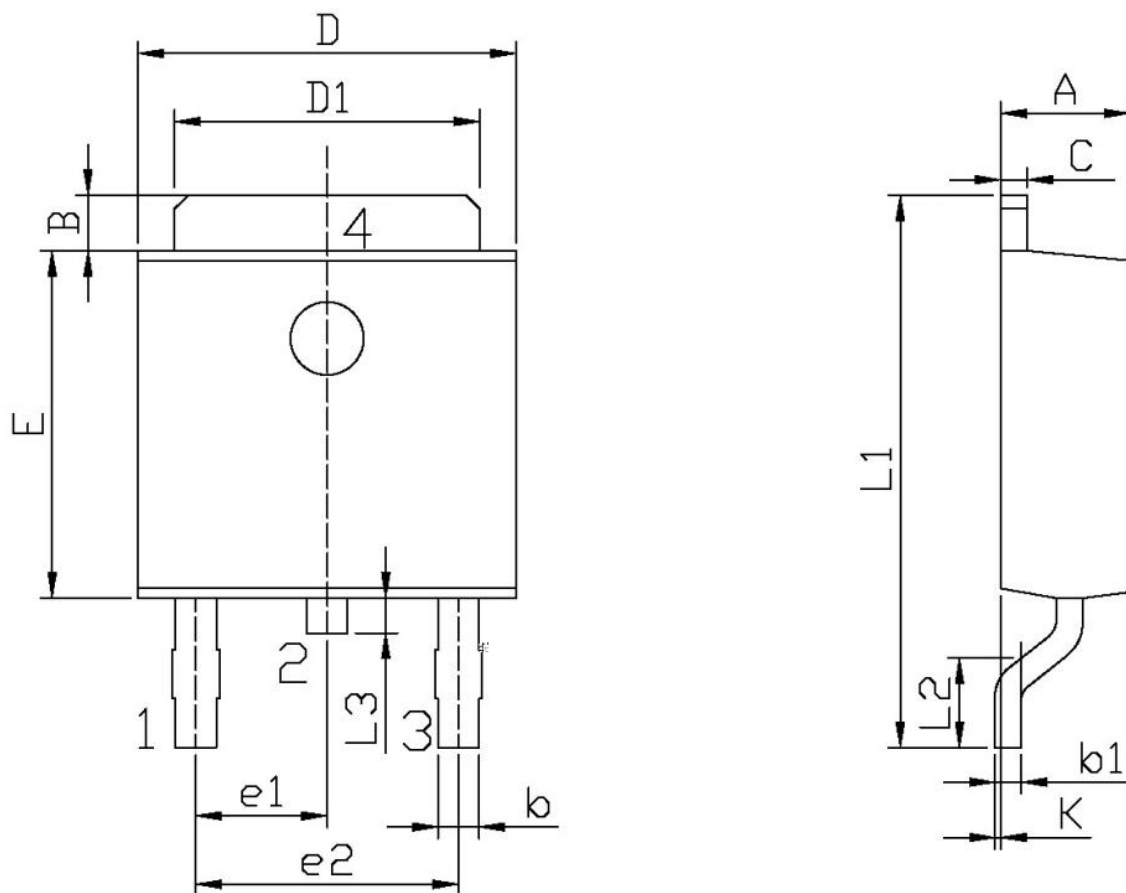
Switching Time Test Circuit:



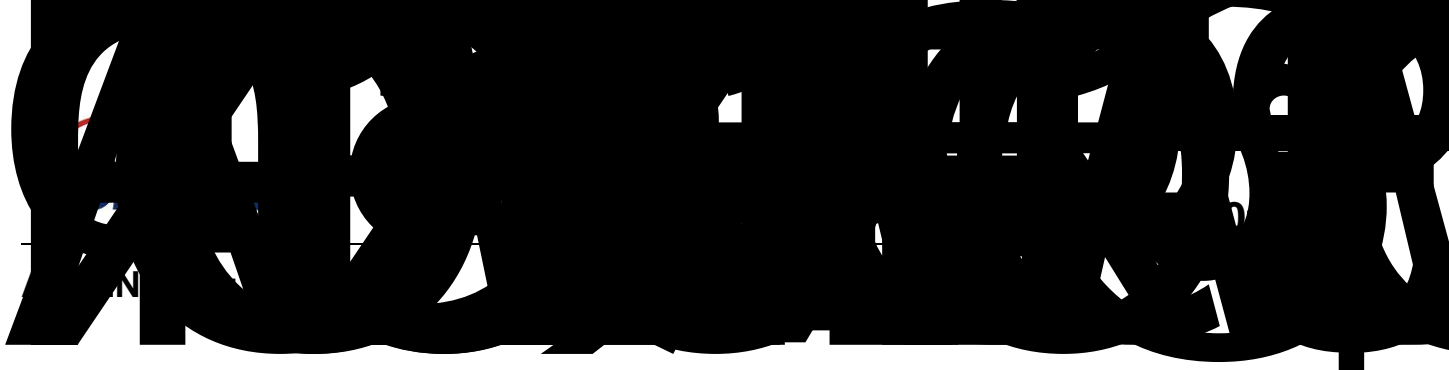
Switching Waveforms:



## Notes:

**Mechanical Data**
**Unit:mm**


Symbol	Dimensions In Millimeters		Symbol	Dimensions In Millimeters	
	Min	Max		Min	Max
A	2.20	2.40	E	5.95	6.25
B	0.95	1.25	e1	2.24	2.34
b	0.50	0.90	e2	4.43	4.73
b1	0.45	0.55	L1	9.45	9.95
C	0.45	0.55	L2	1.25	1.75
D	6.45	6.75	L3	0.60	0.90
D1	5.10	5.50	K	0.00	0.10



F I N I S H E D

D E C 0



NURQ

V

F U L F I L R Q

W H

D