

D 100

D

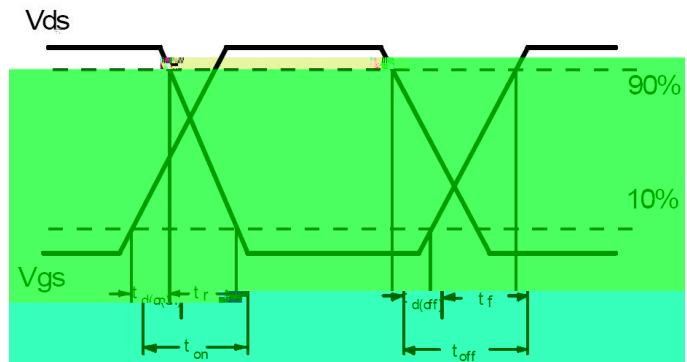
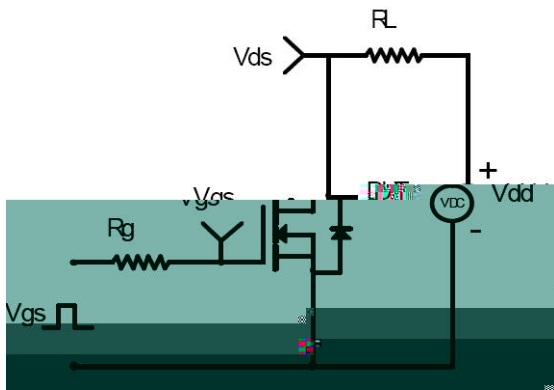
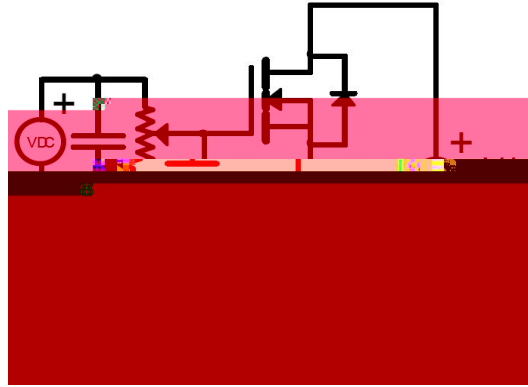
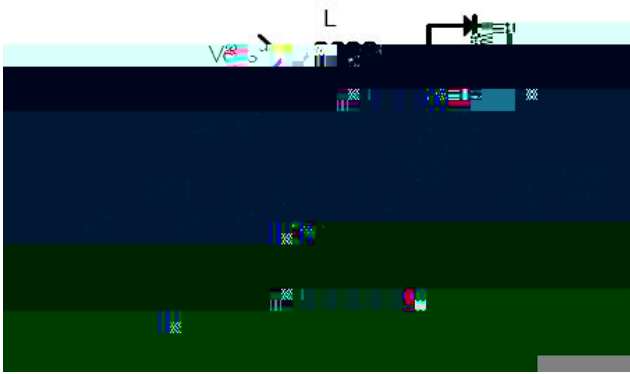
| | | | | | | |
|---------------------------|---|---|---|-----------|----------|---|
| $I_D @ T_c = 25\text{ C}$ | C | D | C | , G @ 10 | 160 | A |
| I_D | | D | C | | 600 | |
| $I_D @ T_c = 25\text{ C}$ | | D | | | 225 | |
| I_D | D | - | | | 100 | |
| I_G | G | - | - | | 20 | |
| E_A | | A | E | @ L=0.1 H | 320 | J |
| I_A | A | C | | | 80 | A |
| J _G | | J | | | -55 +150 | C |

REV

| | | | | | |
|--|---|----|--|------|---|
| | J | -- | | 62 | / |
| | J | -- | | 0.55 | |

| | | | | | |
|----|----|----|-------|------|---------|
| | D | -- | | 4.2 | |
| lb | -- | | =25 C | 1 | D = |
| | -- | | | 100 | G = 2 |
| | | | | -100 | G = -20 |
| | | | | | D = 5 |

| | | | | | |
|-----|---|-----|-------|--|--|
| | G | -- | | | |
| | G | --D | (" ") | | |
| () | | | | | |
| | | | | | |
| () | | | | | |
| | F | | | | |
| C | I | | | | |
| C | | | | | |
| C | | | | | |



C

;

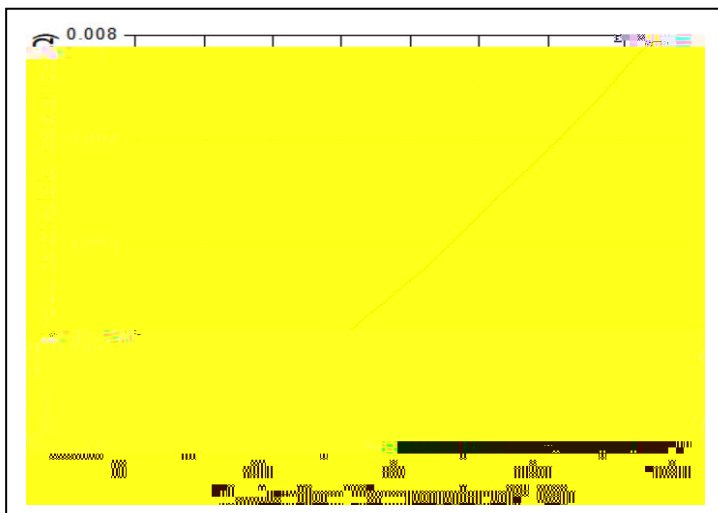
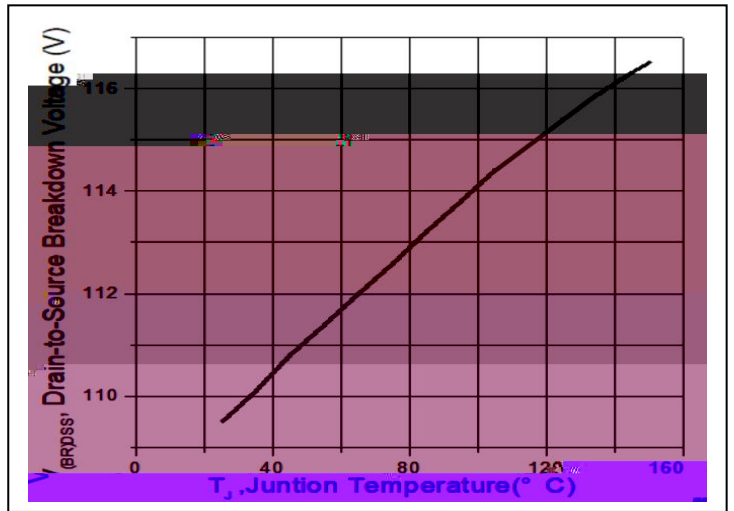
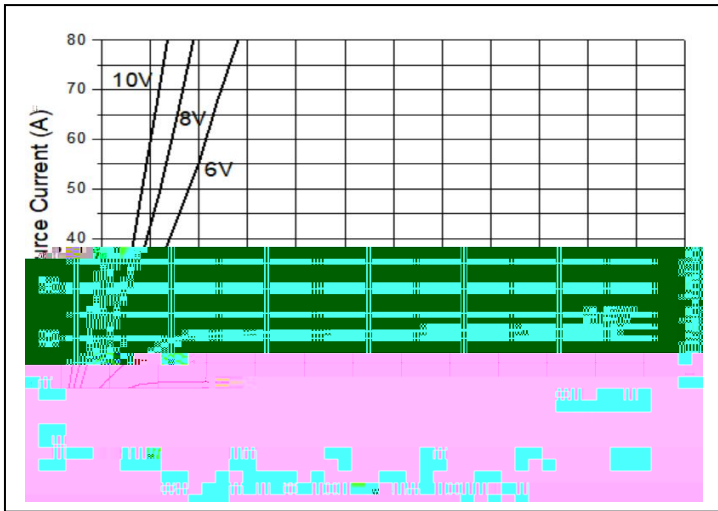
D

JA

$T_A = 25\text{ }^\circ\text{C}$.

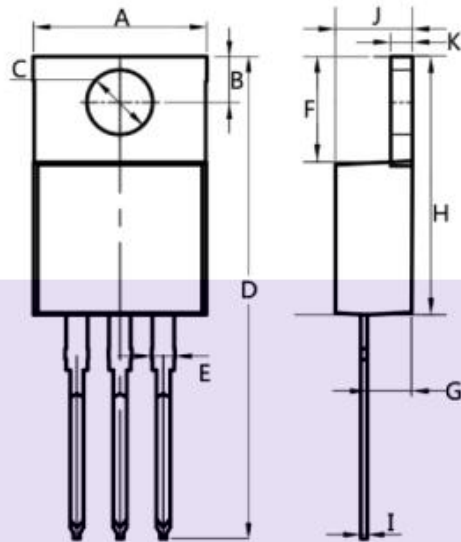
1 2 F -4

2 .C



| | |
|------------|----------|
| Product ID | Part No. |
| SSS1004L | TO-220 |
| SSS1004AL | TO-263 |

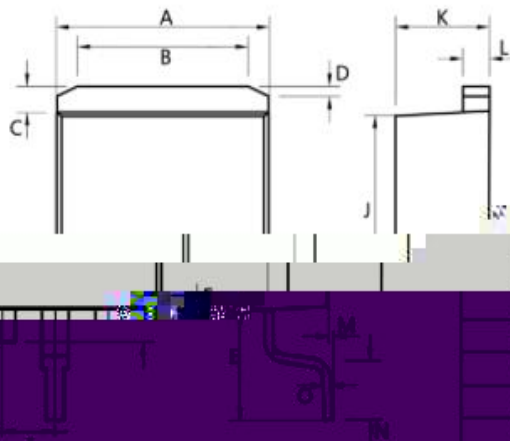
TO-220AB



| Dim. | Min. | Max. |
|------|------|------|
| A | 10.0 | 10.4 |
| B | 2.5 | 3.0 |
| C | 3.5 | 4.0 |
| D | 28.0 | 30.0 |
| E | 1.1 | 1.5 |
| F | 6.2 | 6.6 |
| G | 2.9 | 3.3 |
| H | 15.0 | 16.0 |
| I | 0.35 | 0.45 |
| J | 4.3 | 4.7 |
| K | 1.2 | 1.4 |

All Dimensions in millimeter

TO-263



| Dim. | Min. | Max. |
|------|----------|------|
| A | 10.0 | 10.5 |
| B | 7.25 | 7.75 |
| C | 1.3 | 1.5 |
| D | 0.55 | 0.75 |
| E | 5.0 | 6.0 |
| F | 1.4 | 1.6 |
| G | 0.75 | 0.95 |
| H | 1.15 | 1.35 |
| I | Typ 2.54 | |
| J | 8.4 | 8.6 |
| K | 4.4 | 4.8 |
| L | 1.25 | 1.45 |
| M | 0.02 | 0.1 |
| N | 2.4 | 2.8 |
| O | 0.35 | 0.45 |

A

, - , ' , .

C

(, ,)
