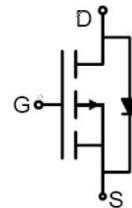


D	-60
D ()	26 (.)
I _D	-34A



A FE

F
150



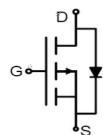
I _D @ c = 25 C	C D C , G @ 10	-34	A
I _D @ c = 100 C	C D C , G @ 10	-24	
I _D	D C	-136	
D @ c = 25 C	D	88	
D	D -	-60	
G	G - -	20	
J G	J	-55 +150	C

JC	J	- -			1.7	/
----	---	-----	--	--	-----	---

@ $j=25$

(B) D	D - -	-60				$I_G = 0, I_D = -250 A$	
D ()	D - - -		26	34		$I_G = -10, I_D = -15A$	
			31	42		$I_G = -4.5, I_D = -10A$	
G ()	G	-1		-2.5		$I_D = I_G, I_D = -250 A$	
I_D	D - -	$=25 C$			-1	A	$I_D = -60, I_G = 0,$
I_G	G - -				100	A	$I_G = 20, I_D = 0$
					-100		$I_G = -20, I_D = 0$
			27				$I_D = -5, I_D = -20A$
			67				
	G - -		10.3			C	$=25 C, I_G = -10,$
	G - -D (" ")		14				$I_D = -30, I_D = -20A$
()	-		15				$I_G = -10$
			13				$I_D = -30$
()	-		93				$I_G = 3$
	F		36				$L = 1.5$
C	I		3605			F	$I_G = 0$
C			144				$I_D = -30$
C			134				$I = 1 H$

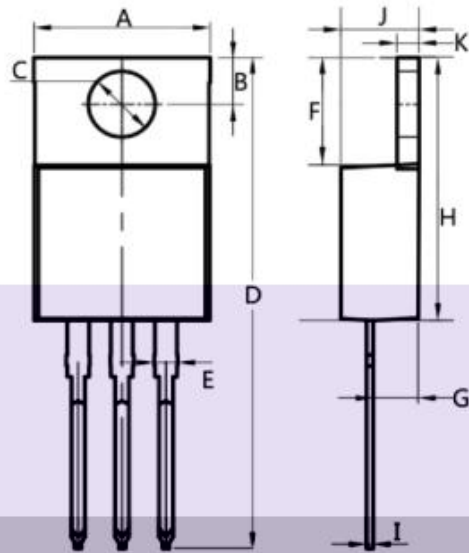
I	C	C			-34	A	FE
I	(B D)				-136	A	
I_D	D F				-1.2		$I = -20A, I_G = 0$
			23.3				$I_F = -20A, I = 100A/$
		C	21.2			C	



PROBING

© 2005 SPP

TO-220AB



Dim.	Min.	Max.
A	10.0	10.4
B	2.5	3.0
C	3.5	4.0
D	28.0	30.0
E	1.1	1.5
F	6.2	6.6
G	2.9	3.3
H	15.0	16.0
I	0.35	0.45
J	4.3	4.7
K	1.2	1.4
All Dimensions in millimeter		

A

C

, - , /