
Main Product Characteristics:



Features and Benefits:

Description:

Absolute Max Rating:

Symbol	Parameter	Max.	Units
I			



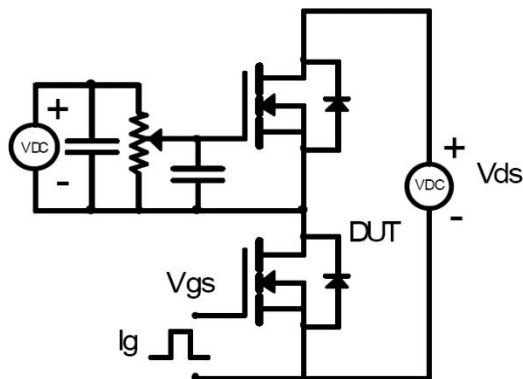
Thermal Ro

Test Circuits and Waveforms

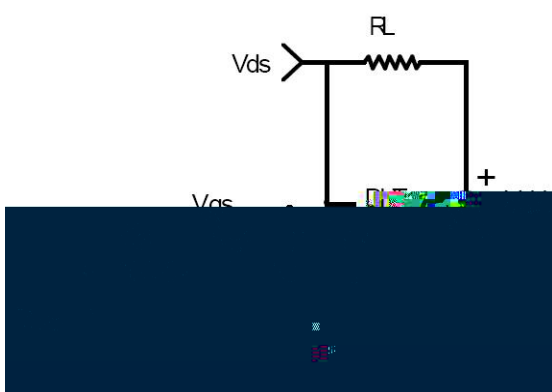
EAS Test Circuit:



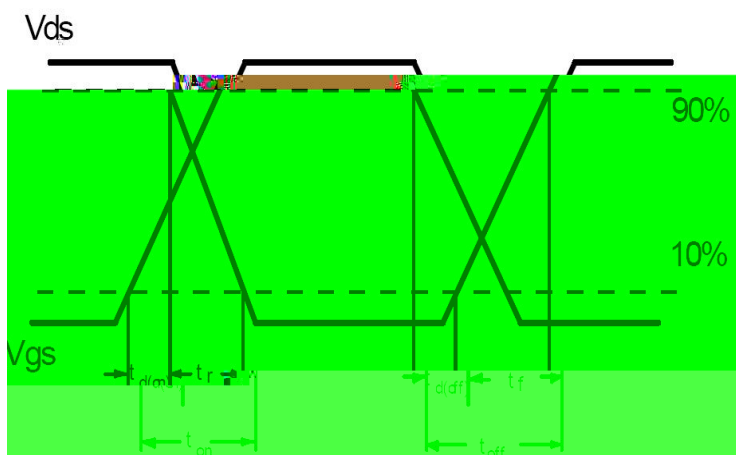
Gate Charge Test Circuit:



Switching Time Test Circuit:



Switching Waveforms:



Notes:

Calculated continuous current based on maximum allowable junction temperature.

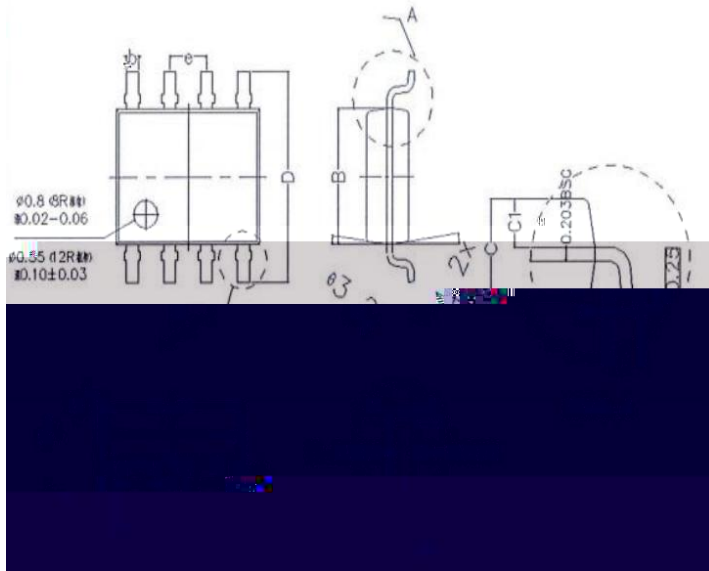
Repetitive rating; pulse width limited by max. junction temperature.

The power dissipation P_D is based on max. junction temperature, using junction-to-case thermal resistance.

The value of R_{JA} is measured with the device mounted on 1 in 2 FR-4 board with 2oz. Copper, in a still air environment with $T_A = 25^\circ\text{C}$

Mechanical Data

SOP-8 Package Outline (Unit:mm)



COMMON DIMENSIONS (UNITS OF MEASURE 15 mm)			
	MIN	NORMAL	MAX
A	4.800	4.900	5.000
B	3.800	3.900	4.000
C	1.350	1.450	1.550
C1	0.650		



SMT