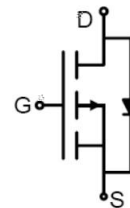
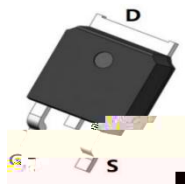


V_{DS}	-30V
$R_{DS(on)}$	7.8 (mΩ)
I_D	-40A



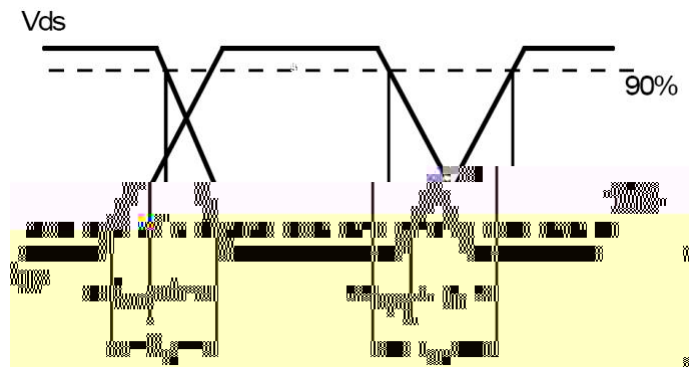
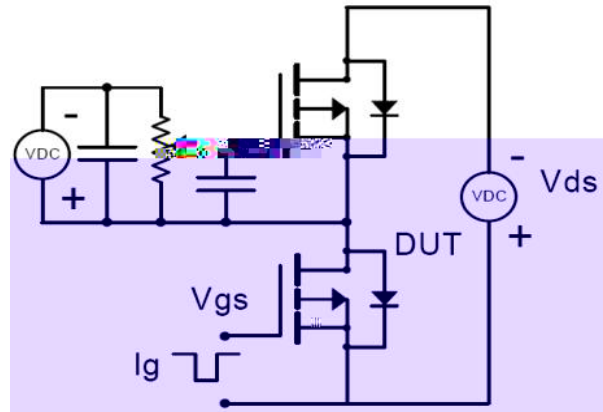
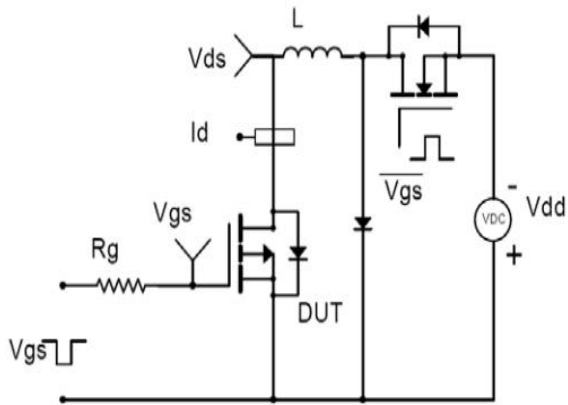
A a c MOSFET c c
 S ca PWM, a c a
 a a ca
 U a - a c a c a
 Fa c a b c
 150 a a



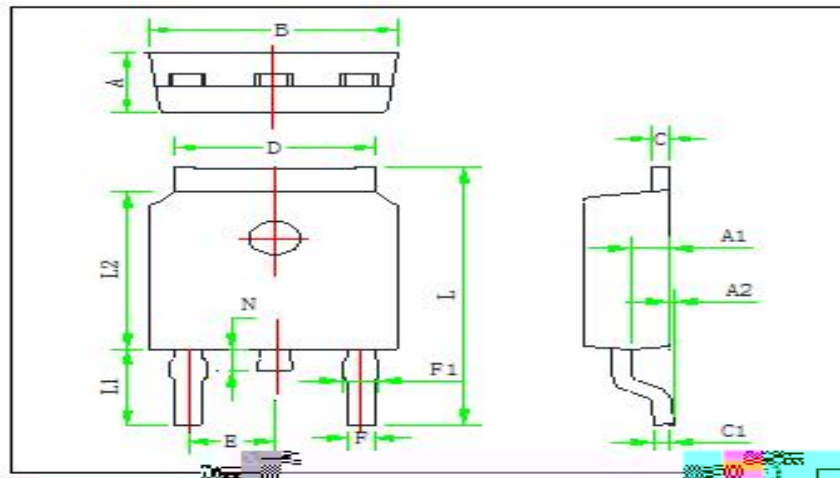
I a c c ac c a c - a c
 a a a c a .T a c b a a c a ab
 c c a ca a a a a ca .

$I_D @ T_C = 25\text{ C}$	C D a C , $V_{GS} @ 10V$	-40	A
$I_D @ T_C = 100\text{ C}$	C D a C , $V_{GS} @ 10V$	-25	
I_{DM}	P D a C	-160	
$P_D @ T_C = 25\text{ C}$	P D a	62	W
V_{DS}	D a -S c V a	-30	V
V_{GS}	Ga - -S c V a	20	V
T_J T_{STG}	O a J c a S a T a Ra	-55 +150	C





Cac a c c ba a a ab c a .
 R a ; b a . c a .
 T a PD ba a . c a , c - -ca a
 a c .



Symbol	Mm	Typ	Max
A	2.20	2.30	2.40
A1	0.91	1.01	1.11
A2	0.05	0.15	0.25
B	6.45	6.60	6.75
C	0.45	0.50	0.58
C1	0.40	0.50	0.58
D	5.12	5.32	5.52
E		2.286 TYP	
F	0.66	0.76	0.86
F1	0.66	0.86	1.06
L	9.60	9.90	10.20
L1	2.6	2.8	3.0
L2	5.95	6.10	6.25
N	0.60	0.80	1.00

A a a S c c b c a a c ca a ca a a ca
a ab , c a - , a ca ' c ,
a ca a ca b a ab c ca a / a a a a .
C S a a b a S c c b c a
c a ca .
S a b a a c a a a c ,
a , a a (c a a a , a c a , aa)
c c ca a a a S c c b c a .
S c ca a a a S c c b c a a a c ,
c a ac c , a c c b c a , a a aa
a c , c a ac c , a c c b c a c c
.T a a a ca b a a a c , c
a a a a a c c c .
S Mc c c (S)C .L . - a - ab c .H , a a
a c c c a bab .l b a bab c a c
acc a c a a , a c , a c ca
a a .W , a a a a acc
ca cc .S c a c b a c c c a c c
a , a , a c a .
l a a a S c (c c ca aa, c) c b c a a
c a a cab ca c a a a , c c b
ba c a c c acc a c ab a .
N a b ca a b c a a b a a , c c c a ca ,
c c a c , a a a a , ,
S Mc c c (S)C .L .
l a (c c c a a a c c aa) a ; aa
c .S b a acc a a ab , b a a a a
a a c a a .
A a a a c b c a a b c c a c
c / c , c .W , "D S c ca "
S c a .
