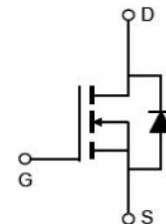


D	100
D0 )	4.2 ( .)
I <sub>D</sub>	127A



A FE

F  
150



I <sub>D</sub> @ c = 25 C	C D C , G @ 10	127	A
I <sub>D</sub> @ c = 100 C	C D C , G @ 10	90	
I <sub>D</sub>	D C	508	
D @ c = 25 C	D	214	
D	D -	100	
G	G - -	20	
J G	J	-55 +150	C

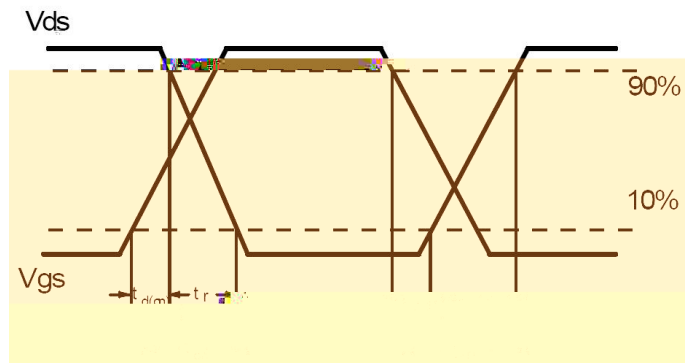
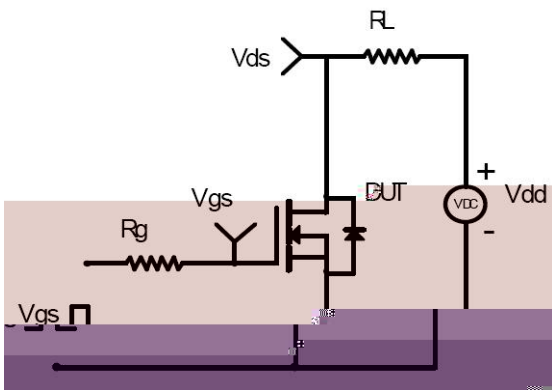
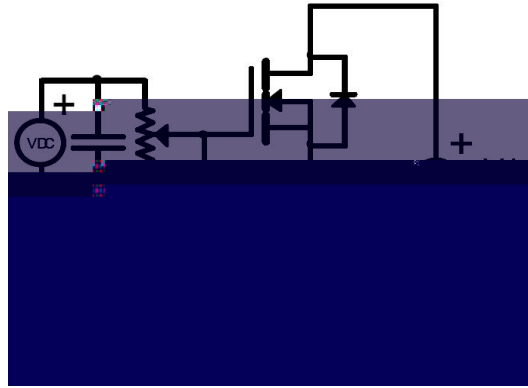


JC

J

- -





C

;

D

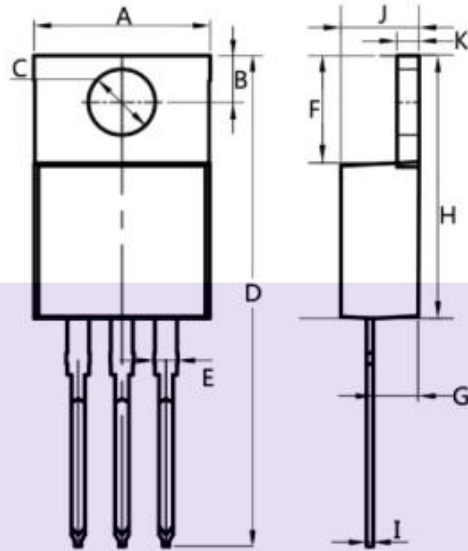
.

,

.

--

TO-220AB



Dim.	Min.	Max.
A	10.0	10.4
B	2.5	3.0
C	3.5	4.0
D	28.0	30.0
E	1.1	1.5
F	6.2	6.6
G	2.9	3.3
H	15.0	16.0
I	0.35	0.45
J	4.3	4.7
K	1.2	1.4
All Dimensions in millimeter		

A

C

I

I

A

"D

"