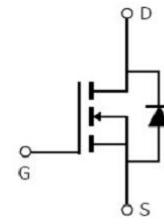


**Main Product Characteristics:**

|  |  |
|--|--|
|  |  |
|  |  |
|  |  |



TO-263 (D2PAK)



Schematic Diagram

**Features and Benefits:**



**Description:**

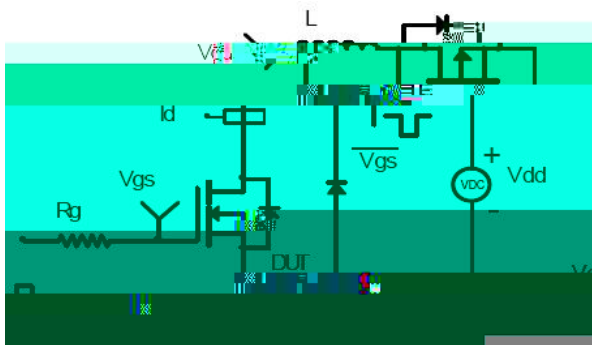
**Absolute Max Rating:**

| Symbol | Parameter | Max. | Units |
|--------|-----------|------|-------|
|        |           |      |       |
|        |           |      |       |
|        |           |      |       |
|        |           |      |       |
|        |           |      |       |
|        |           |      |       |

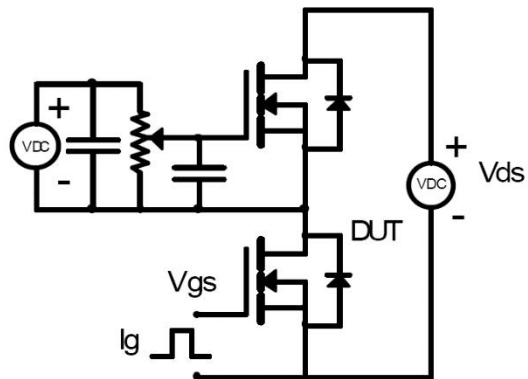


### Test Circuits and Waveforms

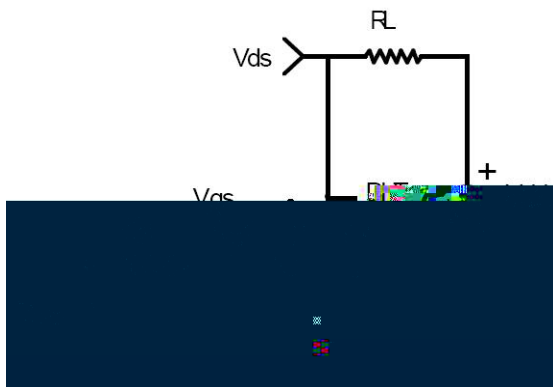
EAS Test Circuit:



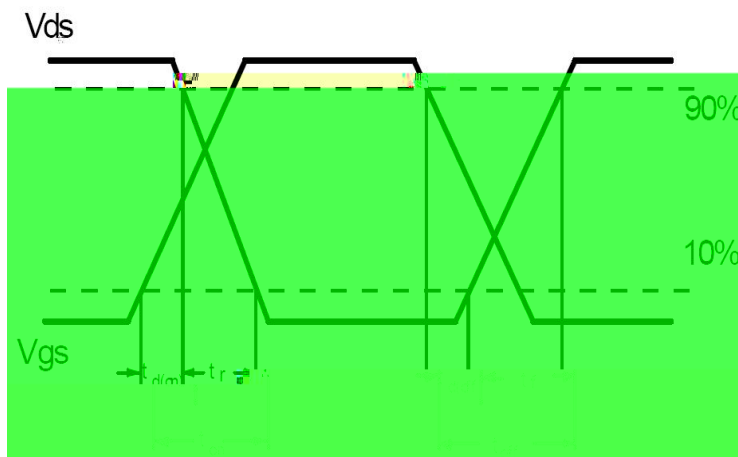
Gate Charge Test Circuit:



Switching Time Test Circuit:



Switching Waveforms:

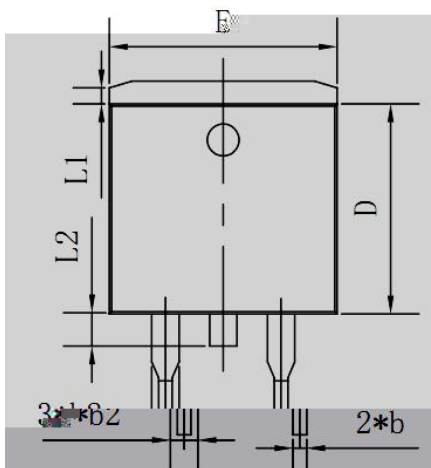
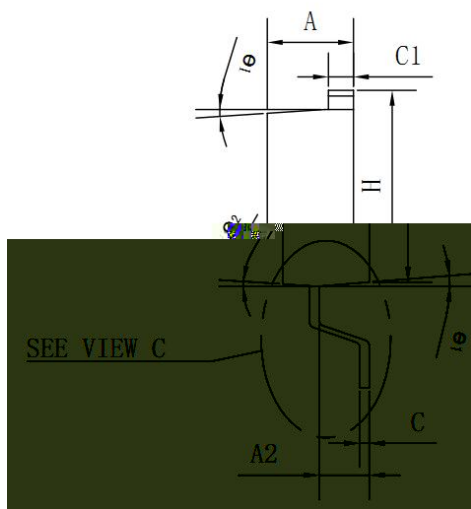


Notes:

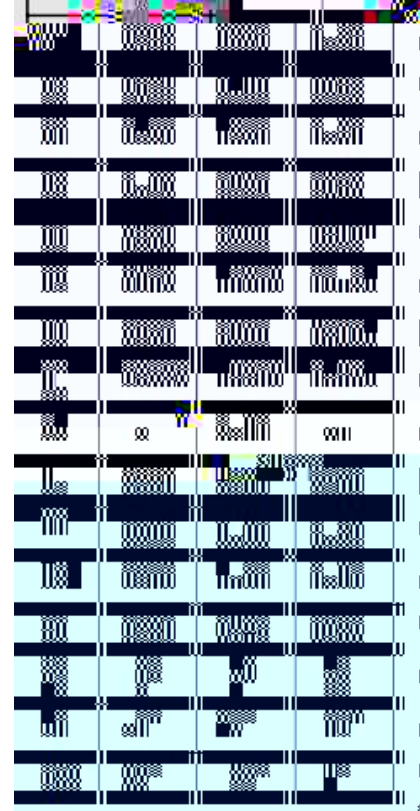
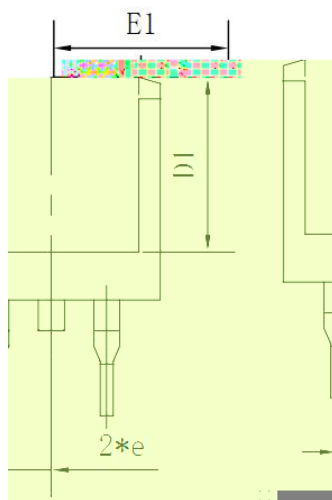
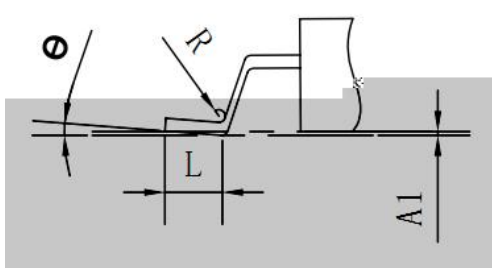
Mechanical Data

TO-263 Package Outline (Unit:mm)

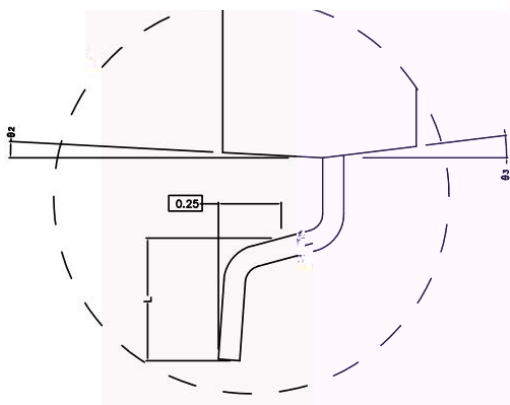
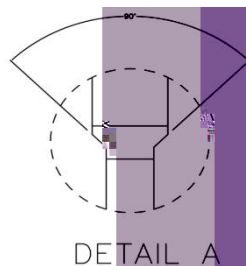
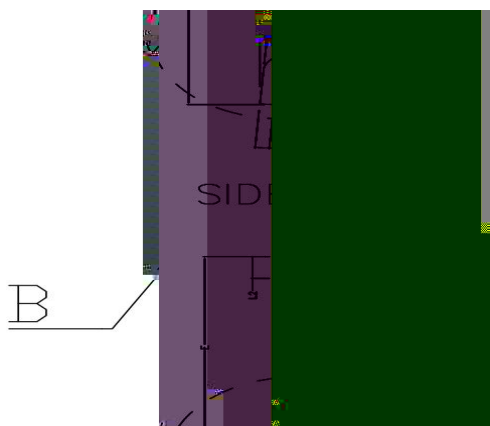
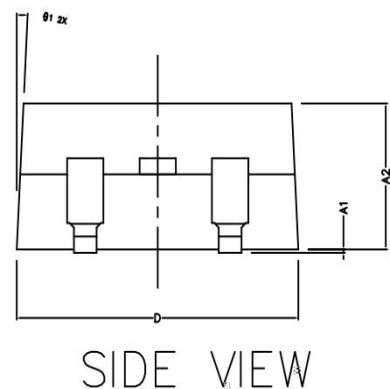
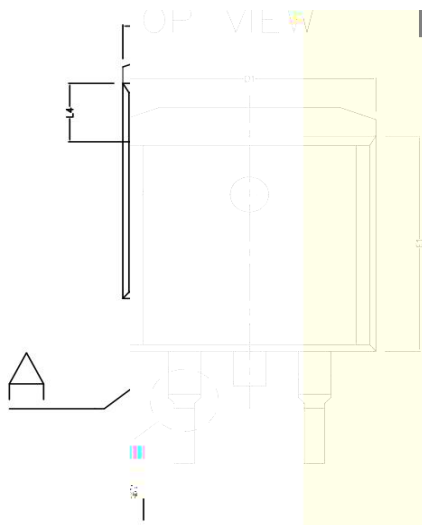
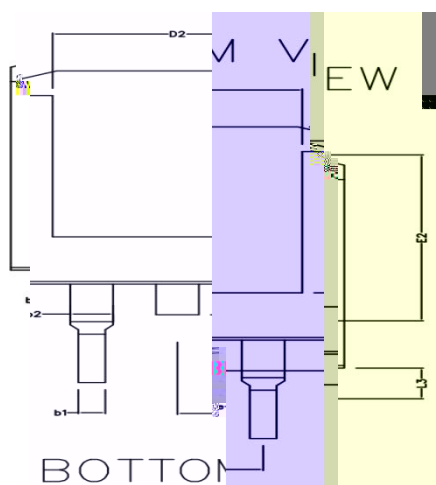
Option 1



| SYMBOL | MIN  | NOM  | MAX  |
|--------|------|------|------|
| A      | 4.35 | 4.47 | 4.60 |
| A1     | 0.09 | 0.10 | 0.11 |
| A2     | 2.30 | 2.40 | 2.50 |
| b      | 0.70 | 0.80 | 1.00 |



Option 2



|    | MIN    | NORMAL   | MAX    |
|----|--------|----------|--------|
| A1 | 0.020  |          | 0.300  |
| A2 | 4.470  | 4.570    | 4.67   |
| A3 | 2.300  | 2.350    | 2.40   |
| b1 | 0.750  | -        | 0.85   |
| b2 | 1.220  | -        | 1.320  |
| c1 | 0.500  | -        | 0.600  |
| c2 | 1.300  | -        | 1.400  |
| D  | 9.750  | 9.850    | 9.950  |
| D1 |        | 9.850REF |        |
| D2 |        | 7.400REF |        |
| E  | 14.900 | 15.100   | 15.300 |
| E1 | 9.100  | 9.200    | 9.300  |
| E2 |        | 8.100REF |        |
| e  |        | 2.540REF |        |
| f  | 2.100  | 2.300    | 2.500  |
| L2 | 1.025  |          | 1.125  |
| L3 | 1.300  | 1.500    | 1.700  |
| L4 | 2.400  | 2.600    | 2.800  |
| W  |        | 3.100REF |        |
| W  |        | 3.100REF |        |

**ATTENTION:**