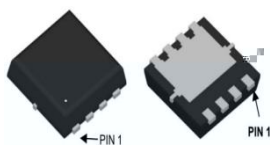
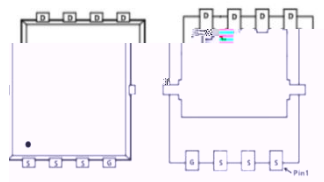


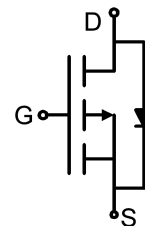
**Main Product Characteristics:**

PDFN 3x3-8L



Pin Assignments



Schematic Diagram

**Features and Benefits:**



**Description:**

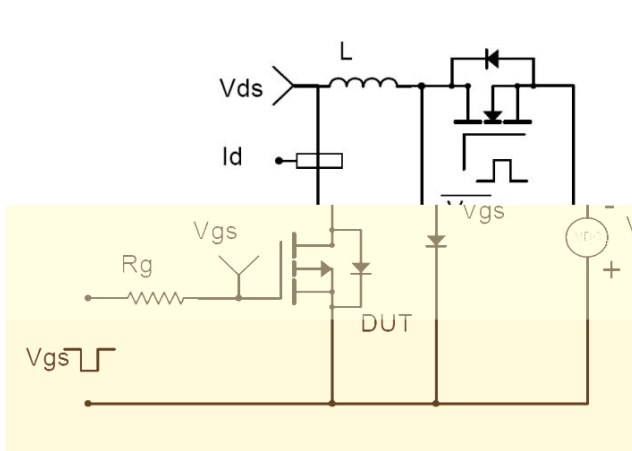
**Absolute Max Rating:**

Symbol	Parameter	Max.	Units

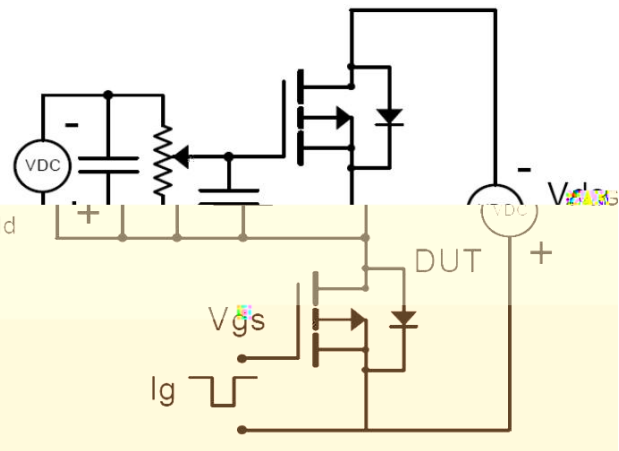
**Thermal R**

### Test Circuits and Waveforms

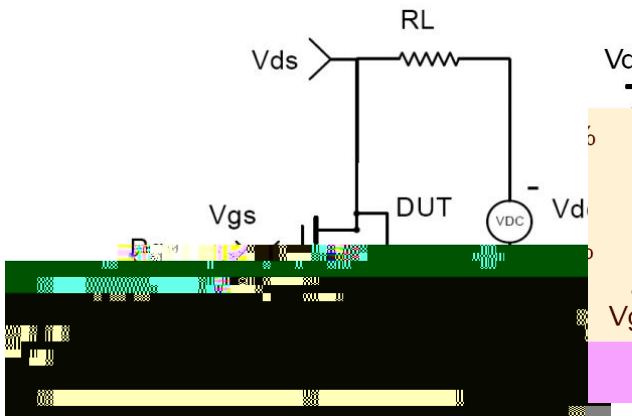
EAS Test Circuit:



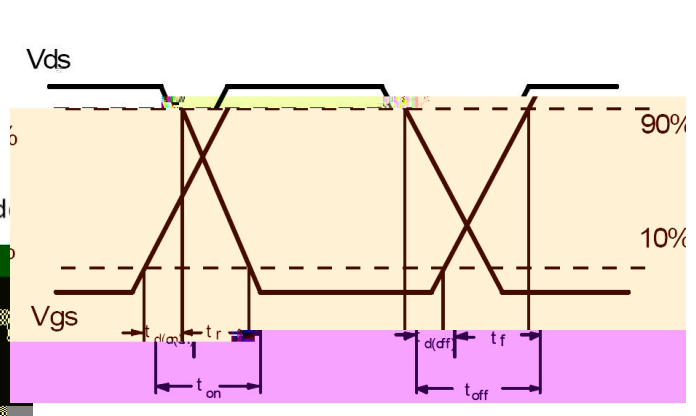
Gate Charge Test Circuit:



Switching Time Test Circuit:



Switching Waveforms:



### Notes:

Typical Electrical and Thermal Characteristics

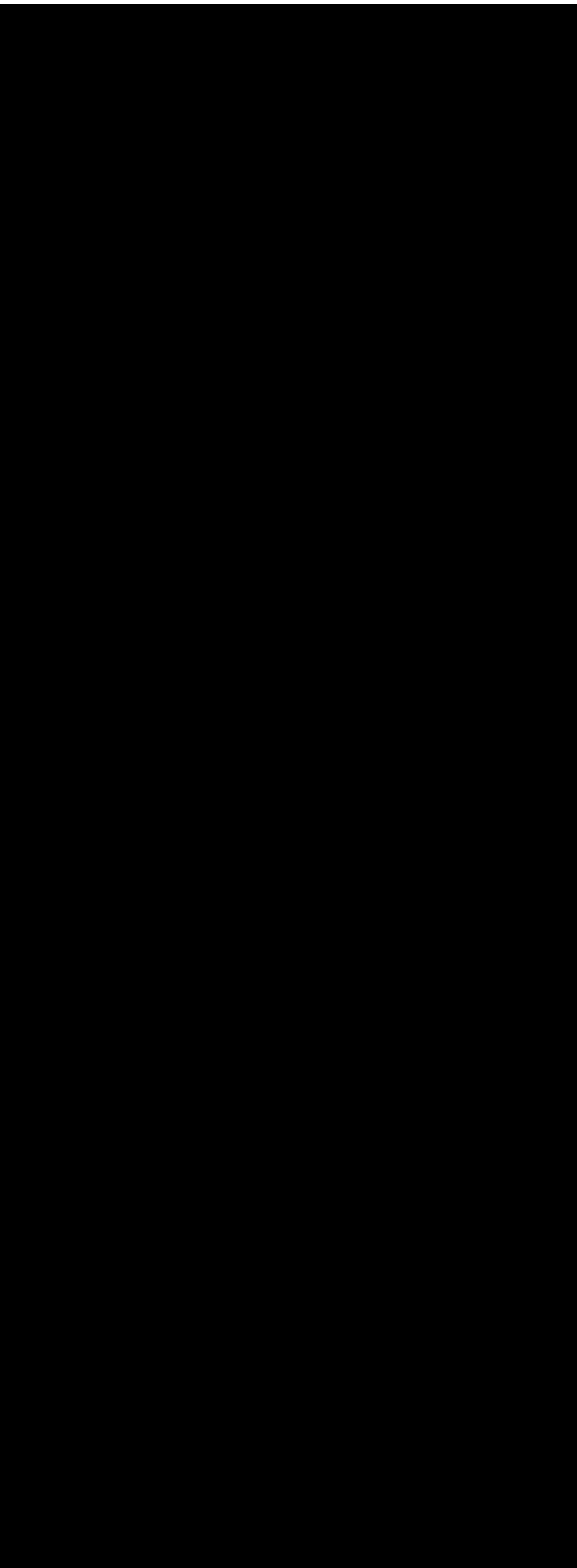
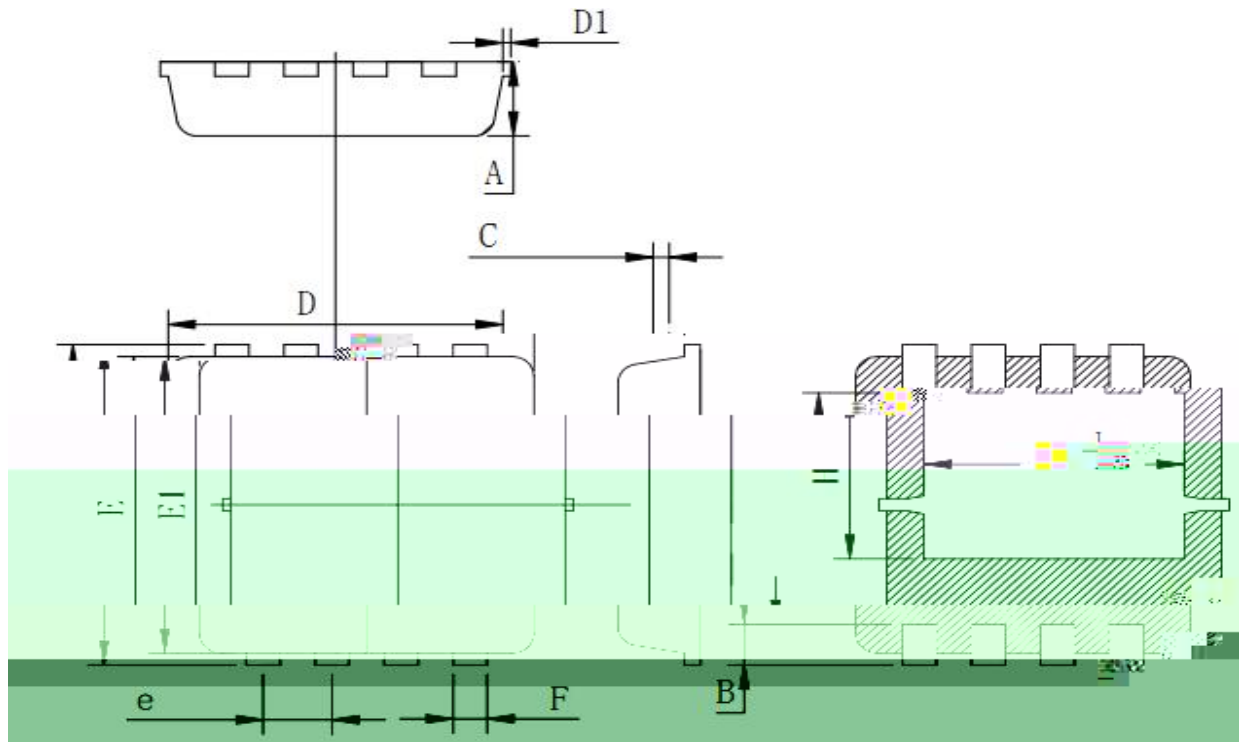


Figure 2. Normalized  $V_{GS(th)}$  vs. Junction Temperature

**Mechanical Data**

PDFN3\*3 Outline (Unit: mm)



Symbol	Min	Typ	Max
A	0.725	0.775	0.825
B	0.28	0.38	0.48
C	0.13	0.15	0.20
D	3.05	3.15	3.25
D1			0.10
E	3.25	3.35	3.45
E1	3.0	3.1	3.2
e	0.25	0.30	0.35
	1.63	1.73	1.83
	2.35	2.45	2.55

**ATTENTION:**

R16